

# POWERFLEX®

## PART NUMBER

# PFF5-2005

## DESCRIPTION

### TIE BAR TO CHASSIS FRONT BUSH

## INSTALLATION GUIDE

### Contents (parts per pack):

2 x Polyurethane A Bushes    1 x PTFE/Silicone Grease  
2 x Polyurethane B Bushes    2 x Stainless Steel Sleeves

*Please read the complete fitting instructions and check package components before fitment. These fitting instructions are to be used as a guide and in conjunction with workshop manual.*

*It is recommended that:*

- all work to be carried out by a licensed technician;*
- all safety precautions adhered to;*
- wheel alignment to be checked and adjusted as required after any suspension work.*
- All fasteners must be tensioned to manufacturer's torque settings.*



### Fitting Instructions:

1. Remove the bush from the chassis and the tie bar and retain the original washers.
2. Clean any dirt/rust from the bore of the chassis bracket.
3. Insert the new polyurethane A bush into the bore from the front of the car and insert the polyurethane B bush from the rear of the car inside the chassis bracket. See figure 1.
4. Apply some of the supplied grease to the bore of both bushes and insert the sleeve into the bush. See figure 2.
5. Re-use the original washers and re-fit the tie bar to the chassis. Tension all hardware to manufacturers recommended torque settings.

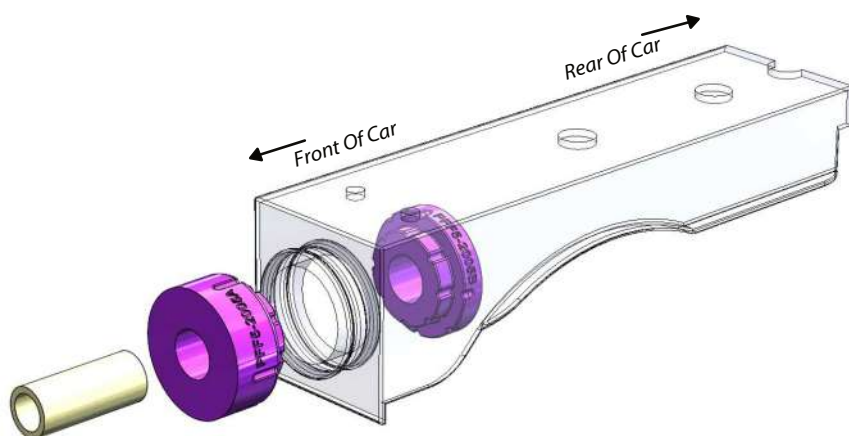


Figure 1

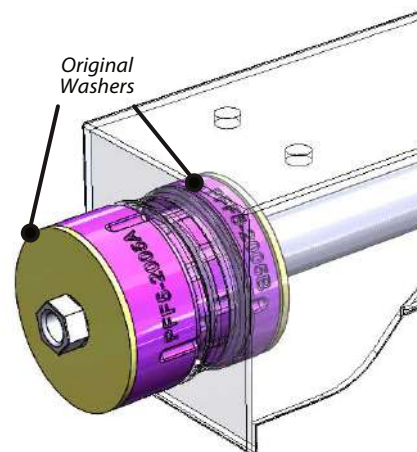


Figure 2